

Series 6, built-in fridge-freezer with freezer at bottom, 193.5 x 70.8 cm, soft close flat hinge KBN96SDD0



Built-in fridge freezer with XXL capacity and VitaFresh <0°C>: big boost in fridge capacity and ideal storage conditions for all your food.

- **Built-in XXL:** get 45% more volume. Extra wide and extra high for hassle-free storage.¹
- **VitaFresh XXL <0°C>:** Keeps food fresh for longer in extra-large climate-controlled fridge drawers.
- **Flex Shelf:** space for bottles and bowls with sectioned glass shelves that can be separated and slid underneath or fold up to the backwall.
- **Freezer Light:** bright illumination inside your freezer.
- **Door Open Alarm:** reminds you if the door is not closed properly.


Technical Data

Energy Efficiency Class (Regulation (EU) 2017/1369):	D
Average annual energy consumption in kilowatt hour per year (kWh/a) (EU) 2017/1369:	204 kWh/annum
Sum of volume of frozen compartments (EU 2017/1369):	98 l
Sum of volume of chill- and unfrozen compartments (EU 2017/1369):	284 l
Airborne acoustical noise emissions (EU 2017/1369):	33 dB(A) re 1pW
Airborne acoustical noise emission class (EU 2017/1369):	B
Built-in / Free-standing:	Built-in
Number of compressors:	1
Number of independent cooling systems:	2
Width of the appliance:	708 mm
Height:	1935 mm
Depth of the product:	548 mm
Net weight:	73.2 kg
Required niche size for installation (HxWxD):	1940x710x560 mm
Door panel options:	Not possible
Door hinge:	Right reversible
Number of Adjustable Shelves in fridge compartment:	3
Shelves for Bottles:	Yes
Frost free system:	Fridge and freezer
Interior ventilator:	Yes
Reversible Door Hinge:	Yes
Length electrical supply cord:	230 cm
Multi-Flow Air Tower:	No
Fast cooling switch:	Yes
Temperature Controlled Drawer:	No
Humidity Control Drawer:	No
Number of Door Bins - Refrigerator:	4
Door bin adjustability - Refrigerator:	Yes
Tilt-out door bins in fridge:	No
Gallon Storage:	Yes
Number of Gallon storage:	1
Motorized Shelf:	No
Material of the shelves:	Safety glass
Door opened indicator freezer:	Yes
Automatic motor-driven ice-maker:	No
Fuse protection:	10 A
Voltage:	220-240 V
Frequency:	50 Hz
Storage Period in Event of Power Failure (h):	13 h
Door panel options:	Not possible
Energy Star Qualified:	No
Required cutout/niche size for installation (in):	X
Dimensions of the packed product:	79.52 x 30.31 x 25.19
Net weight:	161.000 lbs
Gross weight:	176.000 lbs


Optional accessories

KSZGGM00 Butter box

¹ Comparison between an XXL fridge-freezer combination (KBN96xxx) and a standard-sized model (KIN86xxx).



Series 6, built-in fridge-freezer with freezer at bottom, 193.5 x 70.8 cm, soft close flat hinge KBN96SDD0

- Length of power cord:230 cm

Built-in fridge freezer with XXL capacity and VitaFresh <0°C>: big boost in fridge capacity and ideal storage conditions for all your food.

Performance and consumption

- Energy Class EU19_EEK_D: D
- Total Volume : 381 l
- Annual Energy Consumption: EU19_Annual energy cons rd_D: 204 kWh/a
- Noise level: EU19_Noise emission_D: 33 dB

Design

- SoftStart LED light in fridge section
- Built-in-refrigerator 2-door, Bottom Fre

Comfort and Safety

- NoFrost - never again defrosting!
- Fast freeze facility: yes
- Home Connect: Remote Monitoring and Control with Wi-Fi connectivity
- Home Connect via WLAN
- Display: Separate, electronic temperature control, LED indicators
- Two Cooling Systems
- Supercool function
- acoustic for Fridge and Freeze, Acoustic alarm if door left open, Optical and acoustic door open warning system
- Automatic defrost in fridge section

Fridge Section

- EU19_Unfrozen volume_D: 284 l
- 5 safety glass shelves of which 3 are height adjustable
- Bottle rack: Bottle grid

Freshness System

- VitaFresh

Freezer Section

- Net Freezer Volume:
- EU19_Frozen volume_D: 98 l
- freezerLight
- LED with Soft Start
- Freezing capacity 24h:
- EU19_Freezing capa. in 24h_D: 10 kg
- Temperature rise time : 13 H
- Climate class: EU19_Climate class_D: SN-T
- 3 transparent freezer drawers

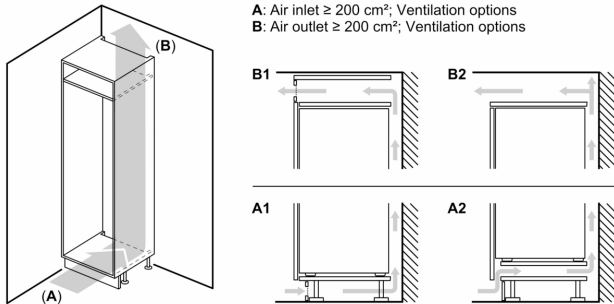
Dimensions

- Dimensions (H x W x D): 193.5 cm x 70.8 cm x 54.8 cm
- Niche Dimension (H x W x D): 194.0 cm x 71.0 cm x 56.0 cm

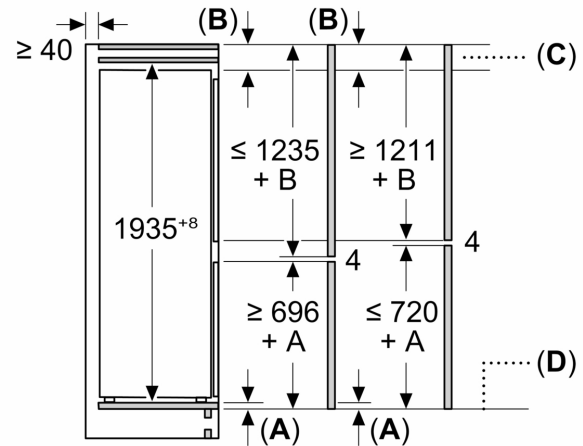
Technical Information

- Door right hinged, reversible hinging

**Series 6, built-in fridge-freezer with
freezer at bottom, 193.5 x 70.8 cm,
soft close flat hinge
KBN96SDD0**



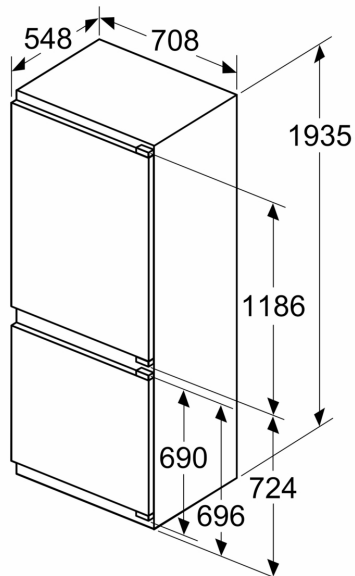
Measurements in mm



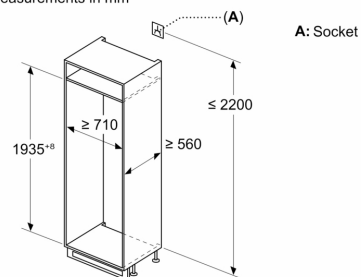
C: Front panel overhang

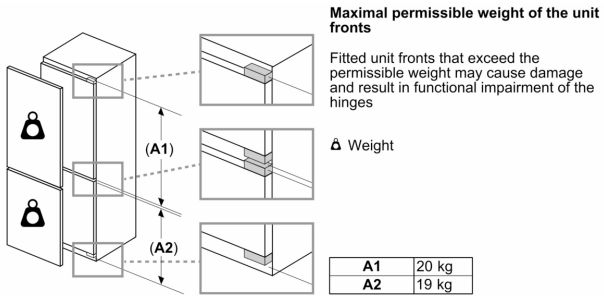
D: Lower edge of front panel

Measurements in mm

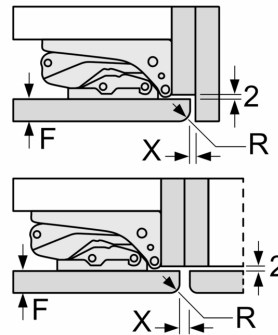


Measurements in mm





measurements in mm
Recommended gap dimensions for flat hinges



F	R	X
16-19	0-3	2.5
20	0-1	3
	2-3	2.5
21	0-1	3
	2-3	2.5
22	0	4
	1	3.5
	2-3	3

The gap dimensions recommended in the table must be adhered to in order to ensure that appliance doors do not collide with anything when they are opened, and to avoid causing damage to kitchen units.